

# AES 7555 RT



## IntelliTrack



- Automatically Report Vehicle Location
- Track and Record Vehicle Movements
- Show Vehicles on Real Time Display
- Control Vehicle Use Remotely
- Eliminates Monthly Cellular/GSM Fees

AES IntelliTrack provides a comprehensive solution for vehicle tracking and fleet management. IntelliTrack integrates a GPS receiver with an AES-IntelliNet transceiver to capture vehicle location data and transmit the information via long-range wireless radio to a central receiving location.

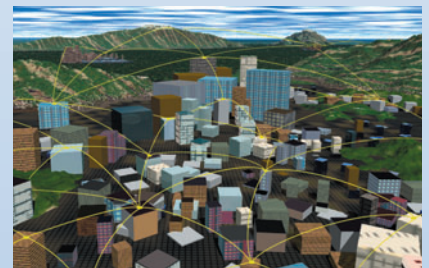
The IntelliTrack tracking area can span any region that is covered by an AES-IntelliNet packet data radio network. The AES-IntelliNet long-range wireless mesh network can cover thousands of square miles. AES-IntelliNet wireless transceivers allow the network to expand easily and inexpensively. The AES 7555 RT IntelliTrack mobile units communicate with fixed AES transceivers that are installed throughout the monitoring region. The fixed units forward the data to a central receiving location.

### Programmable Alarm Parameters Components

Aside from vehicle location information, the system can trigger an alarm for exceeding any of the following parameters:

- Speed Limit
- Time of Operation Limits
- Location & Boundary Limits

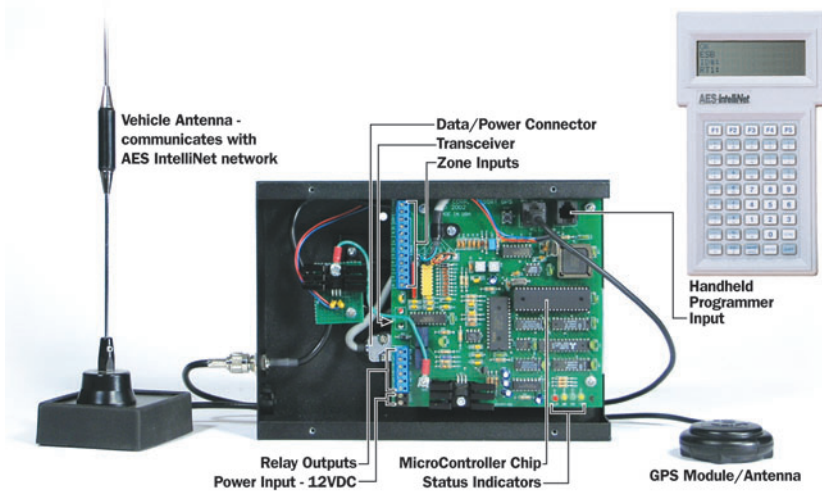
- GPS Receiver
- AES-IntelliNet 2-Way Transceiver
- Vehicle Antenna



Wireless mesh networking is an innovative technology adopted by many industries with applications that need to communicate data over a large geographic area with a high level of reliability at a low total cost of ownership.

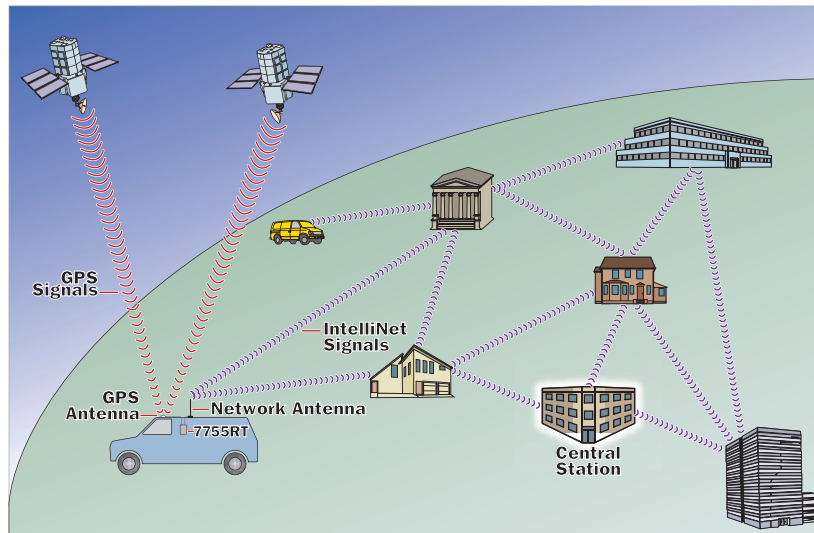
The advanced design and 2-way communications capability provides easy installation, expansion, and management when compared to alternative communication methods, both wired and wireless.

# AES 7555 RT



## IntelliTrack System Components

Each vehicle has an onboard GPS receiver to determine its location based on data transmitted by the GPS satellite system. The location, speed and direction of travel are reported over an established AES-IntelliNet ground network to the base station.



## How it Works

The AES-IntelliTrack captures vehicle location information from the GPS network and transmits the data via the AES-IntelliNet wireless network to a central receiver.

## Technical Specifications

### Size

1.75" D x 9.5" H x 7" W  
4.45cm x 24.13cm x 17.7cm

### Weight

6.3 lbs  
2.85 kg

### Radio

VHF: 150-174 MHz  
UHF: 400-512 MHz  
2 and 5 watt output available

### Voltage

13.8 VDC nominal, uses vehicle power supply

### Current

220 Ma standby 600 Ma transmit

### Operating temperature range

0° to 50° C

### Storage temperature range

-10° to 60° C

### Relative humidity range

0-85% RHC non-condensing

### Zone configuration

- 2 zones dedicated to Panic Button and Sensor
- 6 zones are normal dry contact NO/NC
- 2 relay outputs

AES-IntelliNet™ is the industry leader in delivering high quality wireless mesh networks to the fire and security industry in commercial, corporate, government, and educational applications with its broad line of products and advanced network management tools. Users of AES-IntelliNet networks have gained significant revenue, communications, and cost advantages while meeting the high standards of reliability required for the fire and security industry. AES-IntelliNet alarm monitoring systems are deployed at hundreds of thousands of locations in over 130 countries.

Copyright 2005 AES Corp.  
AES-IntelliNet is a registered trademark of AES Corp.

7555RT/9/05/R2



For more information

Call 800-AES-NETS (800-237-6387)

AES Corporation | 285 Newbury Street | Peabody, MA 01960 USA

Tel. +1 978-535-7310 | Fax +1 978-535-7313 | Email info@aes-intellinet.com

Web www.aes-intellinet.com